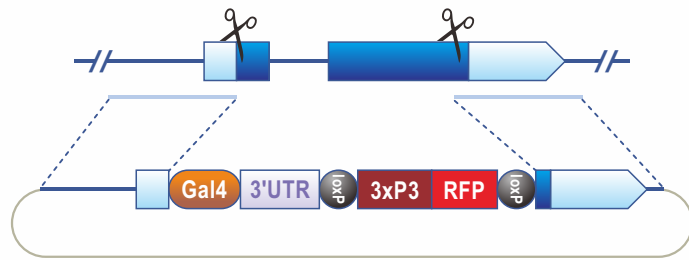


Gene Knock-out



Gene Deletion and Gal4 Knock-in



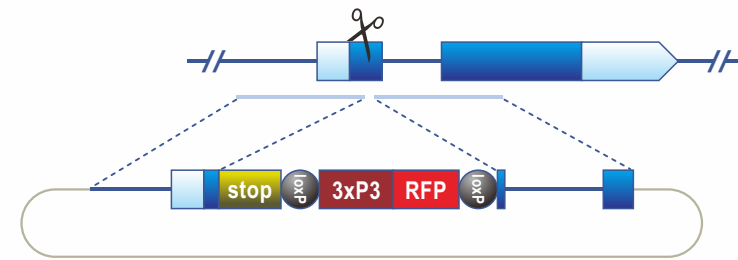
dsDNA Donor



- ↓ HDR
- ↓ Genetic Screening
- ↓ Molecular Validation
- ↓ Integration Test
(Optional Add-on Service)



Pre-mature Allele

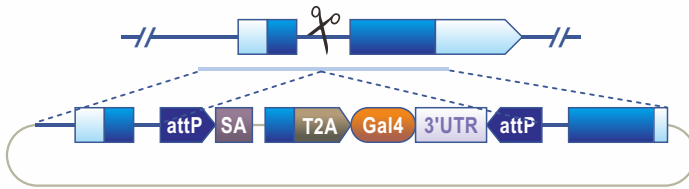


dsDNA Donor

- ↓ HDR
- ↓ Genetic Screening
- ↓ Molecular Validation
- ↓ Integration Test
(Optional Add-on Service)

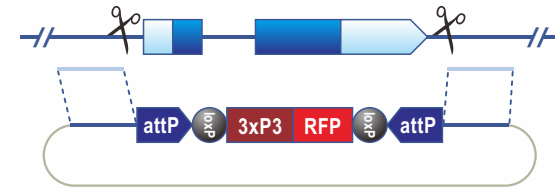


T-GEM Knock-in



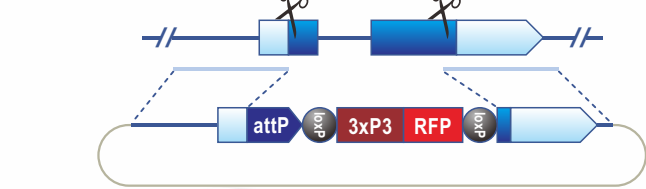
dsDNA Donor

RMCE Knock-in



dsDNA Donor

attP Knock-in

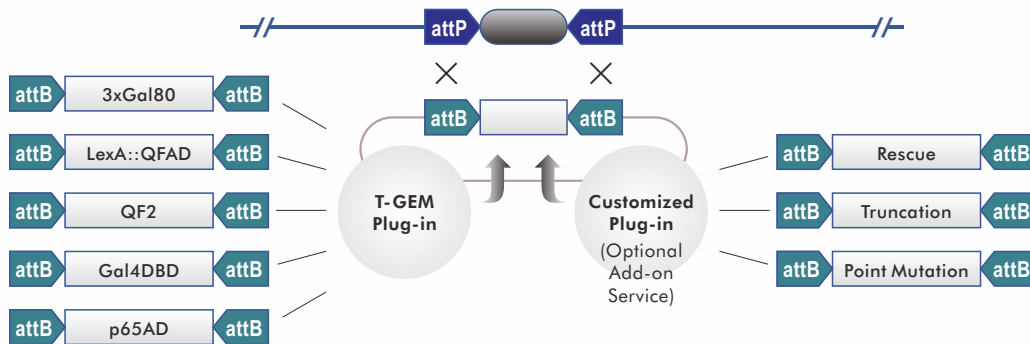


dsDNA Donor

- ↓ HDR
- ↓ Genetic Screening
- ↓ Molecular Validation
- ↓ Integration Test (Included Service)

PROMOTION FREE
Integration Test

- ↓ Genetic Screening
- ↓ Molecular Validation
- ↓ Integration Test (Optional Add-on Service)



- ↓ RMCE Swap (Optional Add-on Service)



FC31



Customized Plasmid (Optional Add-on Service)

- ↓ PhiC31 Microinjection (Optional Add-on Service)

